

CROSS ARMS MAGAZINE

CROSS ARMS is published monthly by James Garrity
at Box 117, R.D. #1, Paxinos, PA 17860. Tel.:
(717) 672-9326.

Second class postage
paid at Paxinos, PA

Editor James Garrity
Western Representative Addie Tasem
Subscription Co-Ordinator Donna Bobb
Information Co-Ordinator Bob Wilson

Single copy \$.60
Subscription price \$6.00
(12 issues)
Back issues 60¢ ea.
(not all issues available.)

Vol. 4, No. 4

MAY, 1975

Copyright © 1975 by CROSS ARMS

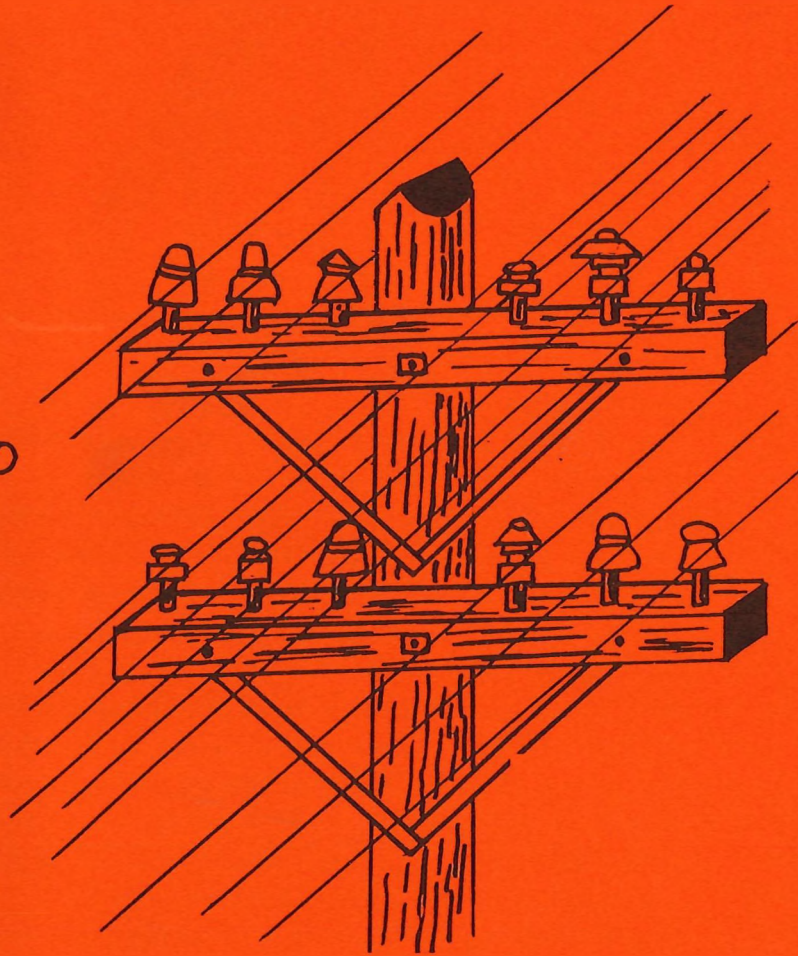


TABLE OF CONTENTS

	Page
Antique Bottle Show	8
Classified Ads	19
Come See Their Insulators	10
From Our Mailbox	2
Insulator of the Month	10
N. I. A.	19
Pyrex Insulators	5
Recap	10
The Dignity of Old Milkglass	13
Third Glass Capitol Show	9
Threadless Pond's	18

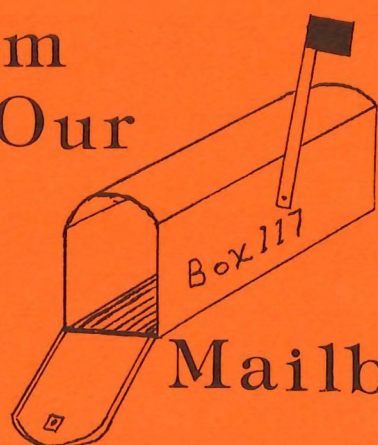
an
insulator collectors'
magazine

60 cents

MAY

BOX 117, R. D. No. 1, PAXINOS, PENNA. 17860

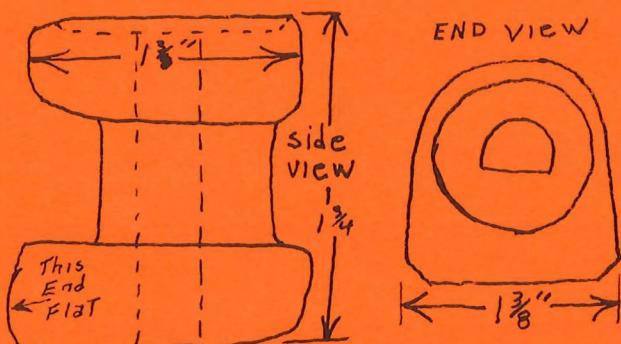
From
Our



Mailbox

Dear Editor,

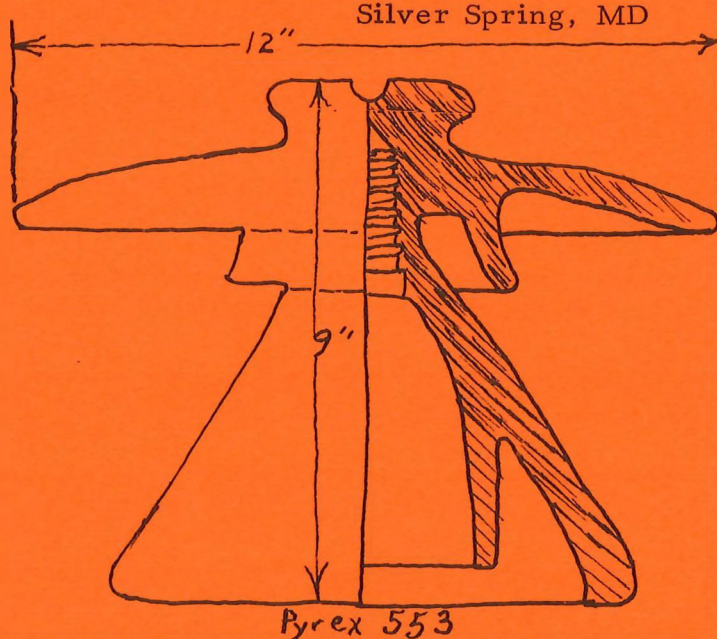
I've been collecting insulators for about 5 years and I have come across 2 interesting items. The first one is a pair of insulators I bought in a flea market. They are extremely crude and look like something used with lightning rods. They both have the same sky blue color and same design but the size difference varies a lot.



The man I bought them from says that he found them near an old house's foundation. I judge them to be very old since they are so crude. The second insulator I got was a Pyrex 553 CD 328 in a straw color. The reason I'm puzzled, is that the drawing in Milholland's recent 1974 book is different. The difference is the extra skirt under the top piece. And also bottom outside skirt goes all the way to the bottom where as in Milholland's Book it shows the inner skirt touching the ground and doesn't show the extra skirt. Please help me. Is this and the other insulators I spoke of valuable? Does the Pyrex have more value because it is like this? Any help on these insulators would be greatly appreciated.

2

Sincerely
Jamisen Jenson
1011 W. Nolcrest Dr.
Silver Spring, MD



Dear Jamisen,

Your first sketch is of a lightning rod insulator. The flat side was mounted against the building and the cable laid in the shallow groove. I've seen these pieces priced from \$10 to \$30. The common color seems to be "sky blue", next is aqua and the rarest is SCA.

Your Pyrex 553 is indeed a puzzler. A 1900 Corning catalog shows the 553 to be the same as the one pictured in Milholland's Book. Judging from your sketch, your 553 looks like it is a 2-piece insulator. If it is you have a new find since there are no 2 piece Corning insulators listed anywhere. Value?? I really can't say.

Jim

* * * * *

To the Editor:

Why are so many insulator collectors restricting themselves to collecting mint condition insulators? Why do they expect to collect an item which withstood the elements, the ravages of time, the rough handling of workmen, the guns of hunters and the thrown stones of boys?

Why should an item which was meant to be an object of utility, be expected to be in MINT condition? Would those who want "mint condition" insulators, want them to be "never used", fresh from a warehouse?

To me an insulator is an object of beauty, BUT still was an object of UTILITY, and of great historic VALUE. Some of the necest, the most beautiful, the most historic yes, the most valuable insulators in my collection are NON-MINT.

I think that many collectors who are demanding mint condition are cheating themselves of much of the pleasure and excitement of collecting beautiful, historic, interesting and valuable objects.

Yours truly,
Gerald Brown

* * * * *

Dear Jim,

Read the article-Reminiscences of an Insulator Collector by John J. Fischer in CROSS ARMS, April, 1975. I am new at collecting and I saw myself in all 3 categories under types of collectors. (I am not a dealer) I work for the telephone company as a splicer and started my hobby for fun. All the fellows in the garage thought I was crazy, for collecting old glass, especially the old timers. Most of my glass are common but have 10-15 rare types. Some of these were given to me by older employees and friends from the power company I have converted to collecting glass. Though I do not write articles on insulators or hold shows, I can easily say I've introduced at least 5 people into insulator collecting and 4 others giving me insulators they find while working. Don't place me as a "silent majority", Mr. Fischer. Just expressing my point of view.

Thank you,
Michael Wagner
35 Davis Ave
Dover, NJ 07801

* * * * *

Dear Jim,

I may be a hypocrite but the article by John Fischer in April's issue really struck home. It's the first article that speaks out against the big name dealers.

It was well written and gets right to the point about what is going wrong with our hobby. If we don't get some new people interested in collecting, we won't have a hobby.

At the National I had a chance to see the "Dealers" at work. I really felt bad for a couple of young collectors. They came so far and found the prices too high.

If you look in your "money grabber" ads you will find almost all of their ads. Try to find a half decent buy.

If all the young new collectors and those with a limited income to spend, didn't give the dealers their business. In the long run the dealer prices will hurt themselves.

What we need is a realistic pricing of the more common insulators. And the Big Dealers to realize that without the common insulators their rare ones wouldn't have a value.

Come on Jim. let's have some more criticism. You have the position to straighten this out. It's not the Dealers that's keeping your magazine going. It's all of us. Not the few people that want the all mighty buck. Let's get rid of these people before it's too late and we don't have a hobby.

Your friend,
Ed Lasky

Dear Ed,

To answer your letter clearly, I will have to answer it in sections:

New people in the hobby--I agree, and CROSS ARMS is doing everything in it's power to introduce new collectors to our hobby. We are also doing everything possible to protect the new collectors.

Money grabber ads--only people like yourself can correct these. If inexpensive insulators are advertised at inexpensive prices, the natural economic law of "supply

and demand" will level out the realistic insulators with realistic prices. If you are selling good insulators at good prices, tell the hobby by advertising. This act will force the "money grabbers" to meet your price--or drop out of the picture...If every collector did this, the end result would be Fair Prices.

Criticism--I could argue with you about the pros and cons of "Wheeler Dealers" and "unfair prices" from now till the Hemi 42's lose their threads and the questions still won't be settled. As cold as it sounds, the hobby does need the "wheeler dealer". He is the fellow that will ferret out the "odd ball", and when he finds it, he will tell the world about it. I disagree with a lot of the "wheeler dealer" tatics, but we must give credit where credit is due. The "wheeler dealers" helped build the foundation to this hobby---it is now up to the collectors to continue building. Both "wheeler dealers" and collectors have their place in our hobby.

As Editor of CROSS ARMS, I could spend the entire issue of any month critising both collectors and wheeler dealers-but I won't do it. As a young, growing hobby, insulator collecting needs help and fresh insights--not criticism.

Jim

* * * * *

Dear Jim:

Item of interest. Recently I found the remains of a bunch of insulators that had been dumped long ago. Because most of the pieces were of "1871"'s and not being in any hurry, I sorted through the broken glass. I found one piece that really blows my mind! It is a little less than half of the dome of a CD 132 embossed H. G. CO. If I can find part of one, there must have been a bunch at one time. I can guarantee there was no more in that pile of glass, though.

Sincerely,
Glenn Drummond

Thanks for putting us on the alert, Glenn. It's nice to know that a CD 132 H. G. Co. exists. Here's hoping they turn up.

Jim

* * * * *

Dear Mr. Garrity,

In a few months I will be moving to Fort Wayne, Indiana. When we were house-hunting we'd go past poles with at least 8 cross arms. I mean these poles are crammed with insulators. Going in a car at 55 mph is not an ideal way to look at insulators and I wasn't even able to pick out the CD types.

Now that I am back in NY and won't be in Ft. Wayne until we move, I was hoping that you and your staff could help me find out what kind of glass Tel/Tel insulators are there. Thanks.

(I would also like to congratulate Todd Rodgers in winning the Brookfield Catalog. I am 13 years old too.)

Doug Polak

Dear Doug,

If you write to the O. V. I. C. (1287 Aldrich Ave., Cincinnati, OH 45231), I'm sure one of their members could tell you exactly what insulators are located on what poles in the Ft. Wayne area. The members of the Ohio Valley Club are up to date on insulators in their area.

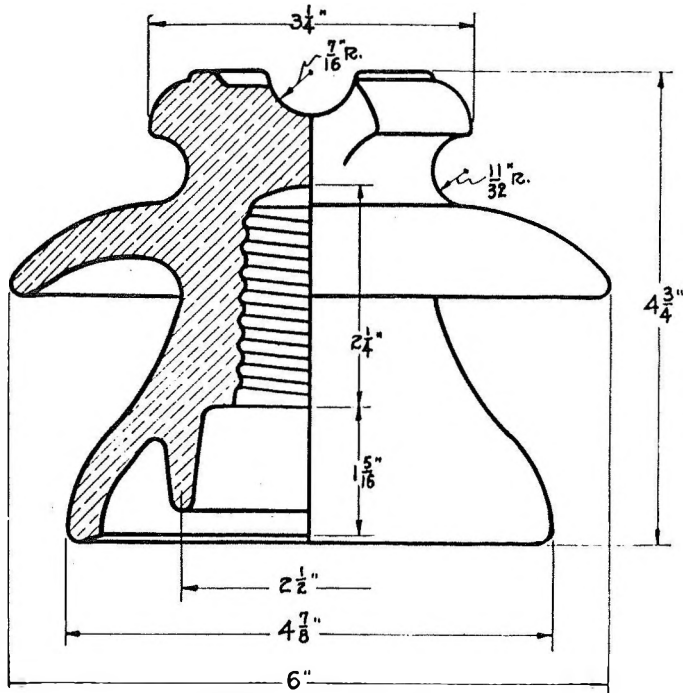
Jim

Mr. Garrity,

Just wanted to tell you, your new format and 8 1/2" X 11" size makes it ideal for preserving them note book style in standard size loose leaf binder.

I'm sure everybody is very happy with this change. Keep up the good work.

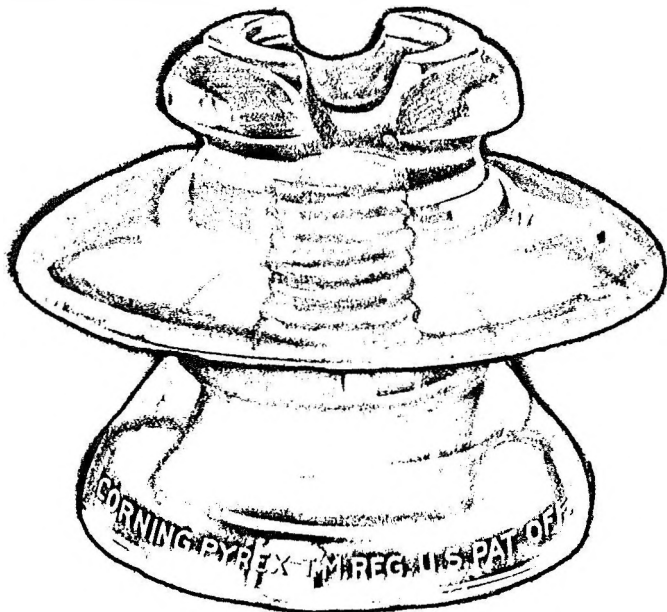
Sincerely,
M. L. Mainer



Specifications

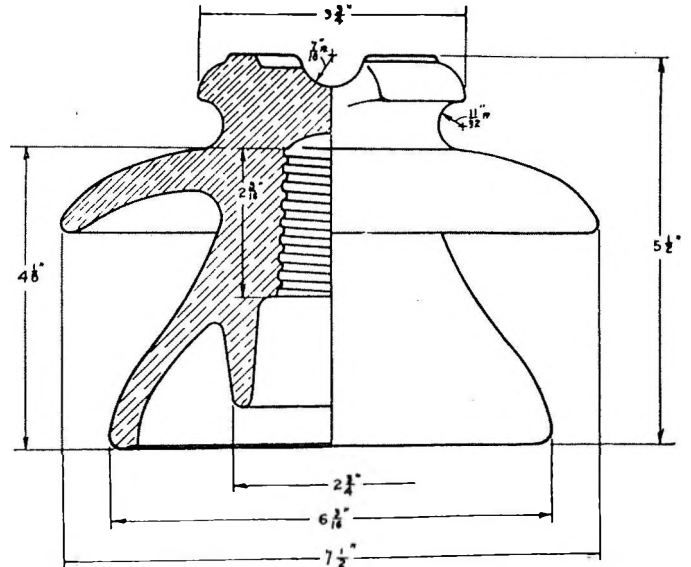
No. 233 for 1" Pin Hole
 No. 243 for 1 3/8" " "

Dry Flashover	86 kv.
Wet Flashover	51 kv.
Leakage Distance	1 1/8" Pin Hole 11.6 inches 1 3/8" " " 10.9 "
Arc Distance, Wet	3.1 inches
Size of Pin Hole	1" and 1 3/8" (See Numbers)
Minimum Length of pin	5 1/2 inches
Net Weight, each	2.9 lb.
Weight, each, packed	4.2 lb.
Number in Package	18
Type of Package	box



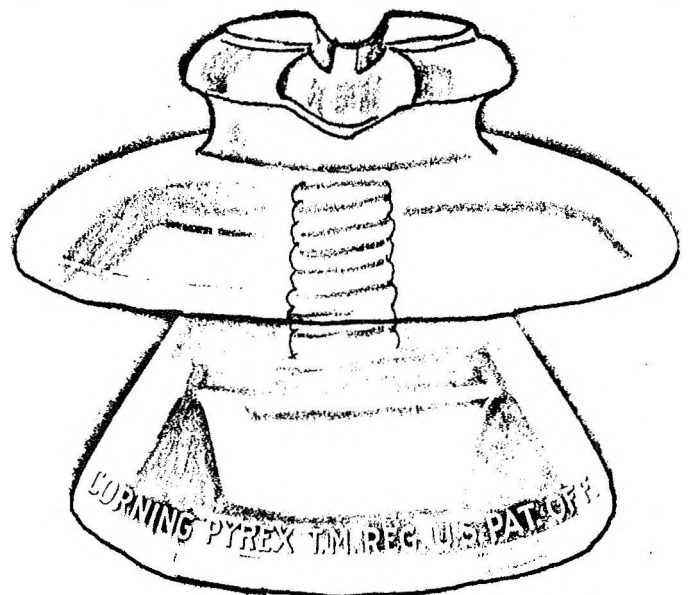
No 233

23,000 volts



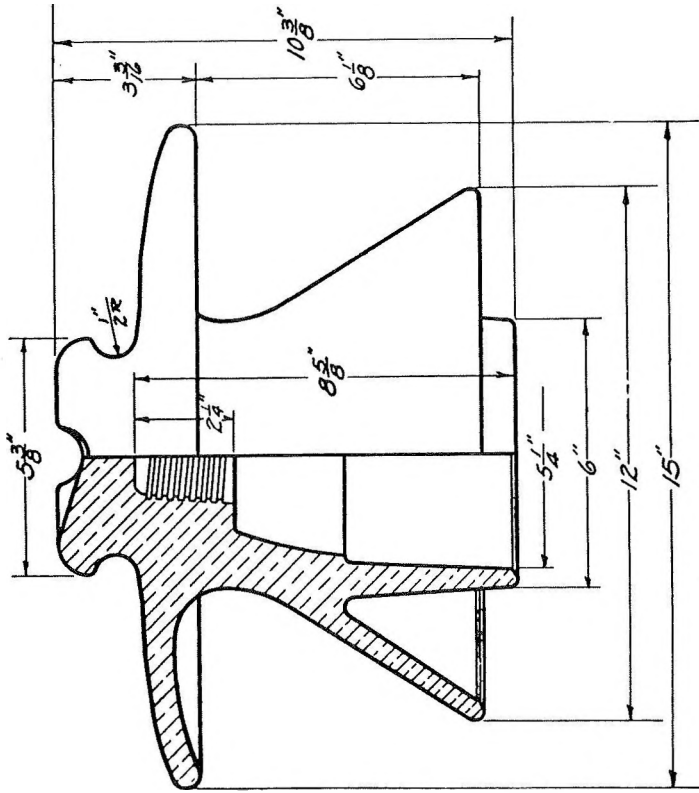
**Specifications for
 No. 271 PYREX Insulator**

Dry Flashover	112 ¹⁰⁴ kv.
Wet Flashover	69 kv.
Leakage Distance	14 1/8"
Arc Distance,—Wet	4 1/4"
Size of Pin Hole	1 3/8"
Minimum Length of Pin	7"
Net Weight, each	4.83 lb.
Weight, each, packed	6.34 lb.
Number in Package	12
Type of Package	box



No 271

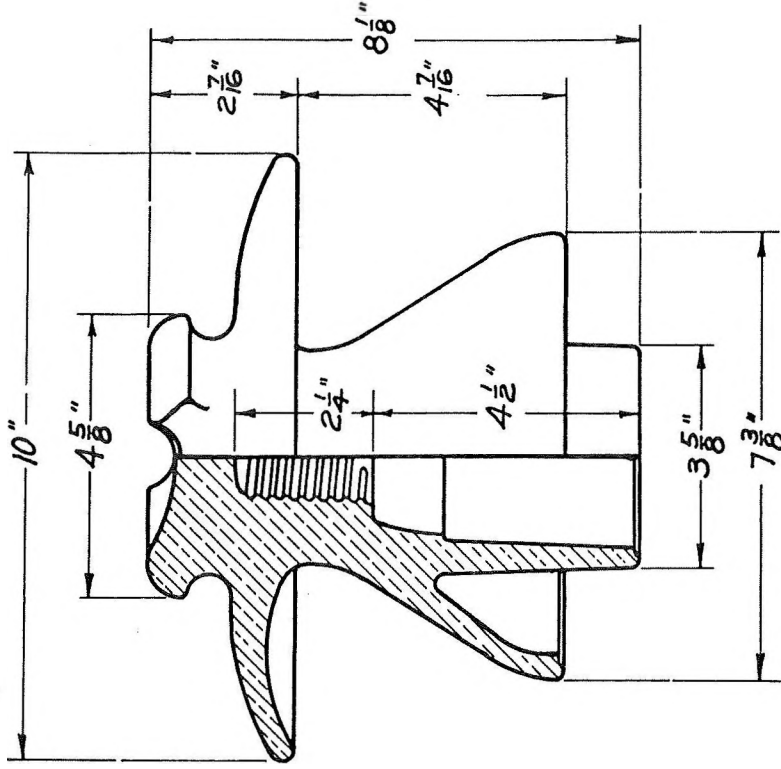
30,000 volts



Specifications for
No. 663 PYREX Insulator

Dry Flashover.....	195 kv.
Wet Flashover.....	135 kv.
Leakage Distance.....	32 1/2"
Arc Distance, Wet.....	10"
Size of Pin Hole.....	1 3/8"
Minimum Length of Pin.....	13"
Net Weight, each.....	27 1/2
Weight each, packed.....	34 lb.
Number in Package.....	one
Type of Package.....	box

Electrical characteristics were measured under A. I. E. E. standard conditions. Voltages were determined by sphere gap measurement.

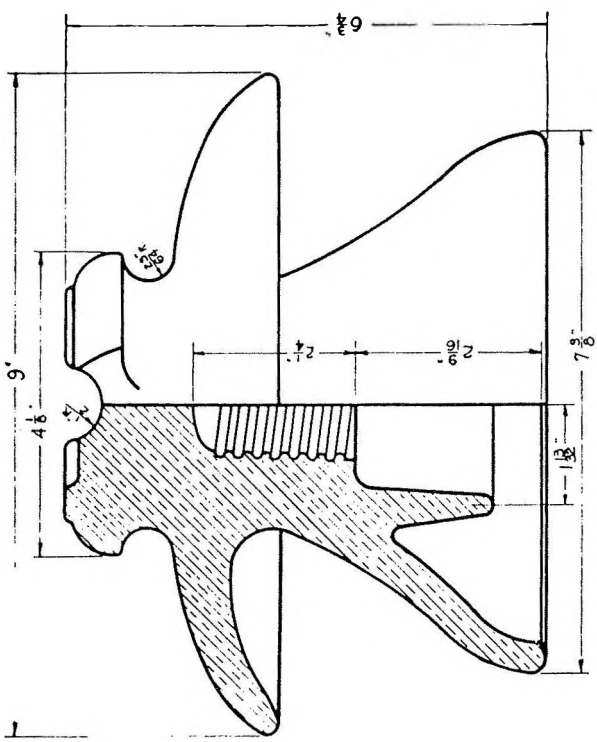


Specifications for
No. 453 PYREX Insulator

Nominal Rating 45,000 volts

Dry Flashover.....	132 kv.
Wet Flashover.....	90 kv.
Leakage Distance.....	22 1/2"
Arc Distance,—Wet.....	6 5/8"
Size of Pin Hole.....	1 3/8"
Minimum Length of Pin.....	9"
Net Weight, each.....	10 1/2 lb.
Weight, each, packed.....	13.8 lb.
Number in Package.....	6
Type of Package.....	box

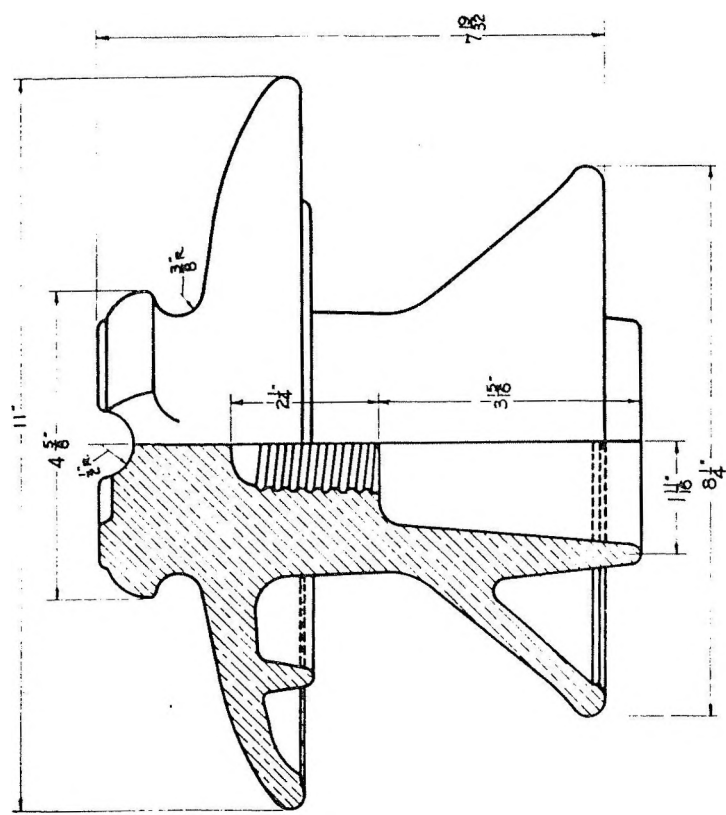
Electrical characteristics were measured under A. I. E. E. standard conditions. Voltages were determined by sphere gap measurement.



Specifications for
No. 401 PYREX Insulator

Dry Flashover	132 kv.
Wet Flashover	83 kv.
Leakage Distance	17.8"
Arc Distance, Wet	5.2"
Size of Pin Hole	1 3/8"
Minimum Length of Pin	8"
Net Weight, each	8.8 lb.
Weight each, packed	11.7 lb.
Number in Package	6
Type of Package	box

Electrical characteristics were measured under A. I. E. E. standard conditions. Voltages were determined by sphere gap measurement.



Specifications for
No. 441 PYREX Insulator

Dry Flashover	155 kv.
Wet Flashover	95 kv.
Leakage Distance	24"
Arc Distance, Wet	7"
Size of Pin Hole	1 3/8"
Minimum Length of Pin	9"
Net Weight, each	12.86 lb.
Weight, each, packed	16.67 lb.
Number in Package	*six
Type of Package	box

Electrical characteristics were measured under A. I. E. E. standard conditions. Voltages were determined by sphere gap measurement.
*Also available in packages of three at slight extra cost.

ANTIQUÉ BOTTLE SHOW

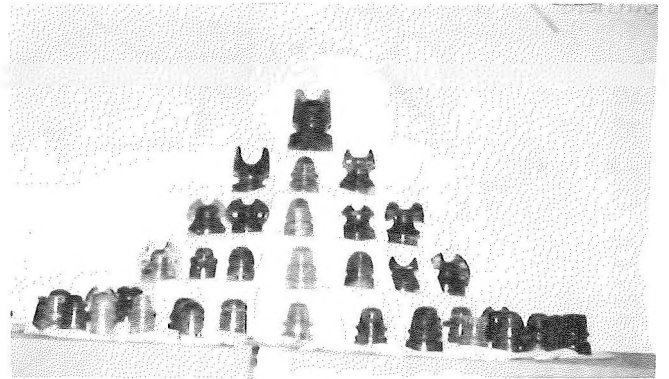
by Wallace Gaughf

The Middle Mississippi Antique Bottle Show was held January 18-19, 1975, at the State Fairgrounds in Jackson, Mississippi. This show was recognizing insulator collectors more and there was a lot of work done to make it a success. At the end of the show we felt that it was the best held in Mississippi. Next year we hope that it will be even better.

Collectors and dealers came from Arkansas, Alabama, Louisiana, Ohio, and Texas. There was steady traffic coming through to look and buy. There were over fifty (50) tables set up with bottles, fruit jars and small antiques. There were eleven (11) sales tables devoted to insulators. Dealers had insulators ranging from common to rare. Some of the goods were 723 Threadless, Wade, Cutter, 267 N. E. G. M., 260 Jumbo, and 738 Threadless in deep olive green.

There were five (5) insulator displays with Grand Prize Ribbon of "Crown Jewels of the Wire" and Best of Show going to Bob Parks of Monroe, Louisiana.

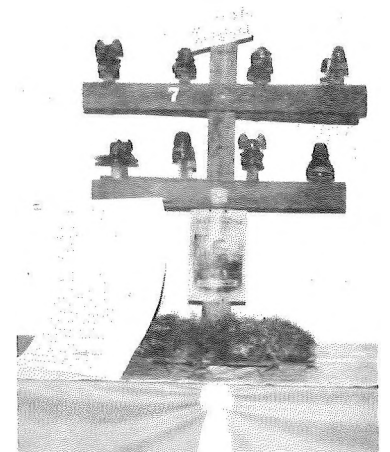
First Place CROSS ARMS Ribbon going to Wallace Gaughf of Belzoni, Mississippi. Second Place CROSS ARMS Ribbon going to Jane Gaughf of Belzoni, Mississippi. Jane had a display of California Purples. Third Place "Crown Jewels of Wire" going to Bill Neely of Mobile, Alabama. We want to thank everyone who participated.



Jane Gaughf of Belzoni, MS, Second Place Ribbon for CROSS ARMS.



Bob Parks of Monroe, Louisiana. Grand Prize for "Crown Jewels of Wire" and Best of Show. 8



Bill Neely of Mobile, Alabama, Third Place of "Crown Jewels of Wire."

THIRD GLASS CAPITOL INSULATOR SHOW

by Jack Snyder

The 3rd Glass Capitol Insulator Show was a grand success. Even though not all of the 45 advertised tables were rented for the weekend show. Rentals averaged 38 tables per day. A total of 9 displays took up the rest of the available space in the hall. The displays that vied for the Crown Jewels and OBX ribbons included B-hives, stars, Diamonds, Brookfields, Porcelain, Mexican and miniature epoxy insulators.

Ribbons were awarded as follows:

C. J. Best-Vern Russell

C. J. runner-up-Bob Wicks

OBX- Jerry Turner

Brookfield reprint- Terry Bauman

Gerald Brown's 3 complimentary copies of his books were awarded as door prizes. Unfortunately I neglected to get the 3 winners names.

Judges for the displays included- Cheryl Sprague; Al Stupp (OVIC V-P); Curt Boster (insulator news co-ordinator for the Antique Bottle World.)

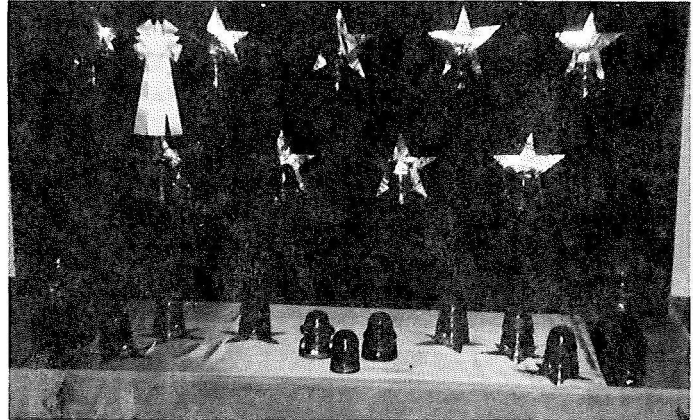
I overheard many compliments about the outstanding displays. These accolades reflect the time and work each person put into his presentation.

The weather left a lot to be desired. Saturday was damp and rainy. While Sunday was windy and somewhat cold with a little sun. The two previous Glass Capitol shows experienced the same type of weather. Attendance was phenomenal anyway. Due in part to an extensive promotional campaign and free admission. I talked to a couple from Long Island, NY that made the 600+ mile trek on a 3 day weekend (this was their 2nd Glass Capitol Show.) At times Saturday parking was at a premium in the large lot. Many Northwestern Ohio collectors who attended the first day came back Sunday to get one last look before the doors closed.

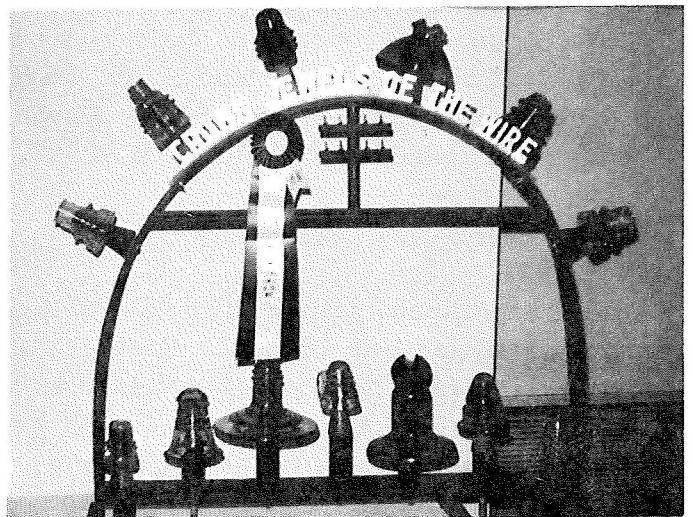
Sales and trades were the passwords each day. The low to medium priced items went well (\$2-\$30). Railroad collectibles

(lanterns, locks, etc) were in abundance, along with a dab of beer cans. Both articles sold quickly.

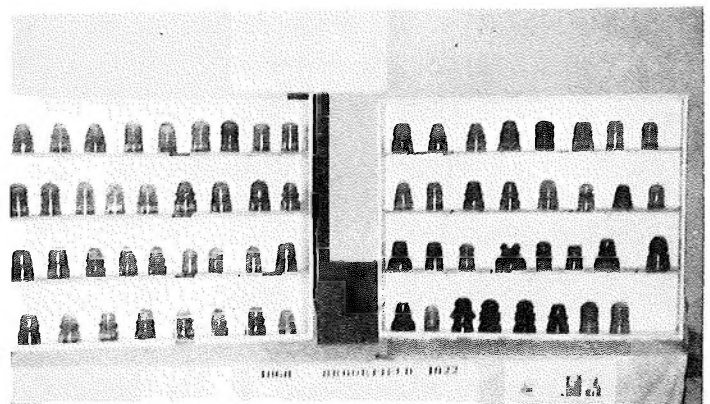
Again, I'd like to take this opportunity to thank dealers and collectors alike who made this show a success!!!



Bob Wicks-"Stars"- Crown Jewels winner.



Vern Russel's-Crown Jewels Best.



Terry Bauman's Brookfield Display.

COME SEE THEIR INSULATOR COLLECTION

Evelyn and Marion Milholland have sold their home at Diamond Point, Washington and are moving to a new, easy to find location at Spanway, near Tacoma, Washington. They are having a special building built 20 feet wide and 36 feet long to display their insulators and kindred items. You are most welcome to come visit with them.

Their new home will be very easy to find. Coming from the south on Highway I-5 upon nearing Tacoma, Washington, turn right on Highway 512.

If you are coming from the north on Highway I-5 go past Tacoma exits and turn on Highway 512 (Puyallup Exit).

"NOW"

East two miles to the Mt. Rainier exit turn off, then go south to 168th. Turn left go two blocks to B-Street. Their home is on the N. W. Corner of 168th and B-St. East.

Their new address will be 145 East 168th Ave., Spanway, Washington 98387.

RECAP

In the March issue a story about the Insulator Collectors Club-San Diego County appeared. Since then several inquiries have been made concerning the insulators found at that meeting. If you have any questions or can add more information, please drop the collectors a note.

Maydwell ghost embossing-
Mr. & Mrs. Dale Guidry
500 Chamber St., Apt A
El Cajon, CA 92020

Foreign Glass
Ms. Denise Mathews
1438 Sunnyland
El Cajon, CA 92021
Knowles cable
Vern Alexander
228 Ardys Pl
Vista, CA 92083

These insulators were important finds and were big helps to Mr. Marion Milholland.

In the recent illness and serious operation of my wife, Joyce there are many collectors we wish to thank so much for their kindness. And two very, very fine people we send all of our love to. The words of wisdom they sent, the beautiful flowers that came to our hospital room from Mr. & Mrs. Milholland. We are very grateful. What can Joyce and I say? Two of our very best friends- Many thanks to the Milhollands.

The A. L. Rash Family
Rt. 3, Box 669
Silsbee, Texas 77656

THE INSULATOR OF THE MONTH

by E. C. Storey

March was a bad month! Reader response was very slow. I decided to substitute this 102 Brookfield to allow more time to hear from you. Remember that your fellow collectors are asking you to do them a big favor by letting me know a little about your insulators. Just a postcard or short letter telling me where you found an insulator and any interesting characteristics it might have would be find. Your friends from afar are interested in:

CD	145	H. G.
	151	H. G.
	112	Brookfield
	162.5	PLW
		Wooden trolley insulators

I've been doing quite a bit of research into PLW and its history. I hope I can clarify any doubts about its origin but I need to know what cities they have been found near. Let me know what you have found.

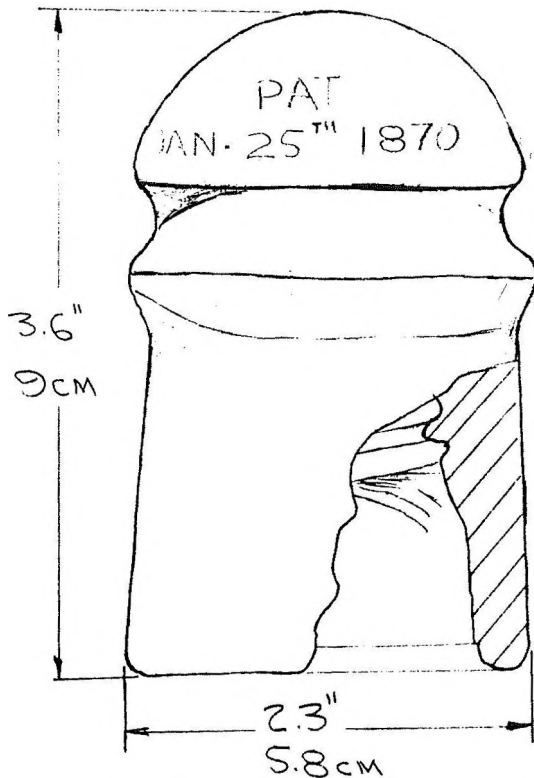
Please write. I can't do this series alone and will have to quit if you don't help. Remember that while you are behind a shovel finding rare insulators I am behind my typewriter. Try too, to include a SASE if you would like an answer.

Until next month,

Ed Storey

BROOKFIELD

cd. 102



AQUA

PONY

THREADED

MARKINGS ON DOME(TYP.)
FRONT

PAT
JAN. 25TH 1870

Rear

FEB 22ND 1870
MCH 20TH 1877

NO DRIP POINTS

This insulator is interesting because it is one of the few early Brookfield insulators without any direct indication of the manufacturer. Yet there is little doubt who made it. The color is characteristic of Brookfield aqua blue, caused by the Long Island sand used at the New York plant. The shape is like other Brookfield cd. 102's. Compare this with a star cd. 102, for example & note how the lower wire groove projection is much different on the Star than on the Brookfields.

This insulator is not particularly rare & can be found with embossing variations. Some have a mold line over the dome & the threads have swirl lines before the start. These data and the patent dates place the manufacturing date between 1877 and about 1890.

Record of Insulator

Where seen/found	Price/condition	Comments

History

The oldest patent is for a press for making insulators; issued to Homer Brooke & probably sold to Brookfield. The February patent date is a reissue of Louis Cauvet's patent for threads as a design patent. It is likely that Brookfield was instrumental in this reissue as they had purchased the first Cauvet patent earlier. The March patent was issued to J. M. Brookfield; also as a design patent. Look for these dates on other Brookfield insulators. Patents last 17 years & it is not likely that manufacturers would list patents after they had expired as anyone may use the feature covered then.

Cross Arms April 1975 by E. C. Storey

THE DIGNITY OF OLD MILK GLASS

by Dick and Dottie Daugherty

To collectors of glass objects, color often determines the desirability of owning these objects.

At times color denotes rarity. In the case of antique bottle collecting, a grass-green "Indian Queen" or a cobalt "Masonic" Zanesville flask, or an amethyst "Jenny Lind" Fislerville flask are considered rare and desirable.

And then there are the times when color denotes just pure pleasure to the eye of the beholder and rarity and costliness does not enter into the picture at all. Such would be the case of a collector prizing his newest find of a deep sun-purpled unembossed perfume bottle or a yellow-green whiskey pint. Color can mean different things to different collectors.

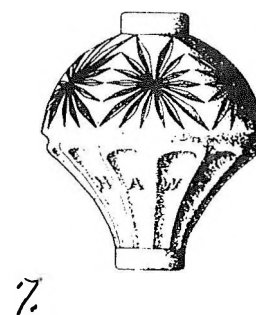
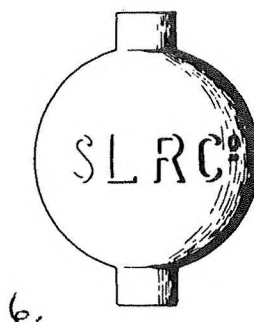
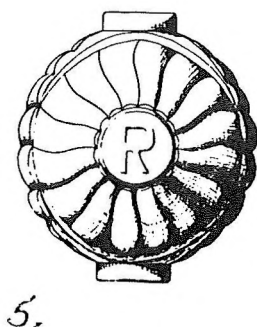
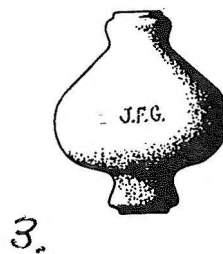
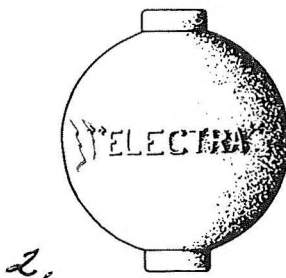
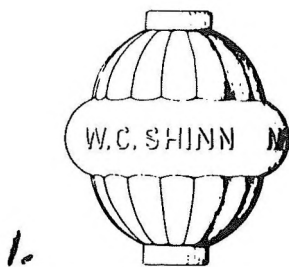
In the instance of collecting lightning rod balls, the colored patterned balls seem to be the favorites, and who doesn't appreciate a collection of rainbow colored glass items? But the novice collector can take heart in the fact that the field of collectible lightning rod balls is wide and there is a place for anyone who has the desire to preserve a part of our heritage. Not to be overlooked is the category of WHITE MILK GLASS lightning rod balls. These were possibly the most common ones found atop the barns and houses. Because a batch of glass could be decolorized with an inexpensive decolorizing agent such as tin oxide, might account for the high production of milk glass, not only in lightning rod balls but in other utilitarian household items of the late 19th century. Early catalogs show that milk glass LR balls were sold for 30¢ each while comparable ones of red glass, green glass, or mercury coated glass were sold for 40¢ each. Because there were so many milk glass ones made, it is understandable that the collector's price guides today consider these as the least expensive to buy if you want to add them to your collection.

Common they might be in number, but to the eye of a collector, white milk glass is far from common and represents pure beauty and a dignity all its own.

If you have a specialized collection of white milk glass lightning rod balls, take pride in them and if you are a beginning collector, you will do well to start your collection with this category. The glass houses of the 1840's manufactured these glass balls and they have been made by many glass companies right on up through the 1930's.

Pictured here are just a few of the patterned white milk glass balls along with the manufacturer's name and place of business, date of establishment, and the current average prices for these WMG LR balls, (prices may vary slightly in different parts of the country).

(1) W.C. Shinn Mfg. Co., Lincoln, Nebraska, established 1900, \$7.00. (2) Electra Protection Co., Albany, N.Y. and Cresco, Iowa, established in 1907, \$10.00. (3) Julius F. Goetz Mfg. Co., Hartford, Wisc., established in 1909, \$12.00. (4) Mast Lightning Rod. Co., founded by Wesley J. Mast in 1840 in Marysville, Mo. Mr. Mast was the first person in the U.S. to manufacture lightning protection commercially. \$20.00. (5) Rayburn-Hunter-Foy Co., Chicago, Illinois, established in 1849, \$30.00. (6) Security Lightning Rod Company, Burlington, Wisc., established in 1892, \$15.00. (7) Hawkeye Lightning Protection Company, Cedar Rapids, Iowa, established in the 1920's, \$7.00.



FIRST SOUTHWEST OHIO INSULATOR, LIGHTNING ROD BALL, AND BOTTLE SHOW

by Glenn Drummond

The weekend of 25 and 26 January proved that mid-west insulator collectors were hungry enough for a show that they would brave just about the entire spectrum of rotten winter weather that the Ohio Valley is noted for. It began with a driving rain followed by high winds, fog, freezing mist, a moderate snow, and downright cold. Despite the elements, the show was truly a success for area collectors, dealers, and perhaps most important, the sponsors. The show as co-sponsored by the Gleneste PTO and the Ohio Valley Insulator Club with three-fourths of the show profits going to the PTO scholarship fund. It was a novel experience for several of us in the Cincinnati area to work with an organization with interests other than the hobby. However, it was a successful and rewarding experience. One really interesting sidelight was the very cautious approach of area bottle and jar collectors and dealers. Five bottle dealers set up, four for only one day. A number of other dealers and collectors came in to "look the show over". Their main criticism was that the show was not advertised extensively in the bottle publications and promised their support of the show next year if the advertising "met their standards", whatever that might be.

Insulator dealers came from far and near, 27 in all, to set up 44 tables of choice insulators. Dale Vincent, Cedar Rapids, IA traveled the greatest distance and was presented a plaque. Other dealers and collectors came from Alabama, Illinois, Pennsylvania, as well as the local Indiana, Kentucky, and Ohio crowd. The quality and quantity of insulators available for trade and sale was exceptionally good. Among these were both CD 140 and CD 269 JUMBO'S, CD 266 cable, CD 268 CROWN, CD 158 screw top BOSTON, CD 291 No. 5, a com-

plete set CHAMBERS, and a white milkglass HEMINGREY 42.

A new approach to categorizing displays was tried and all in attendance indicated that it was a real satisfying experience. The displays were divided into two general categories: a senior and junior division. To display in the junior division, the entrant had to be 17 years or under and had to own the insulators themselves. Only four senior displays were exhibited but six junior displays were set up. Awards were:

Senior Division

Chris & Gary Curts - Brookfield Insulators - Crown Jewels Grand Prize; OBX Showmanship Award; Milholland's Brookfield Award.

Forrest Jones - Lightning rod balls, weather vanes and "go withs" - Crown Jewels 2nd Prize, Show Award 2nd Prize.

Jerry Turner - Porcelain Insulators - CROSS ARMS 1st Prize, Show Award 1st Prize

Steve Blair - Insulator styles and uses - Show Award 3rd Prize.

Junior Division

Valerya Hyrne - Color in glass insulators - Show Award 1st Prize.

David Turner - Star Insulators - Show Award 2nd Prize, Crown Jewels 2nd Prize.

Donna Stirnkorb - Color and styles of glass insulators - Show Award 3rd Prize.

Kecia Drummond - Diamond Insulators - Crown Jewels Grand Prize.

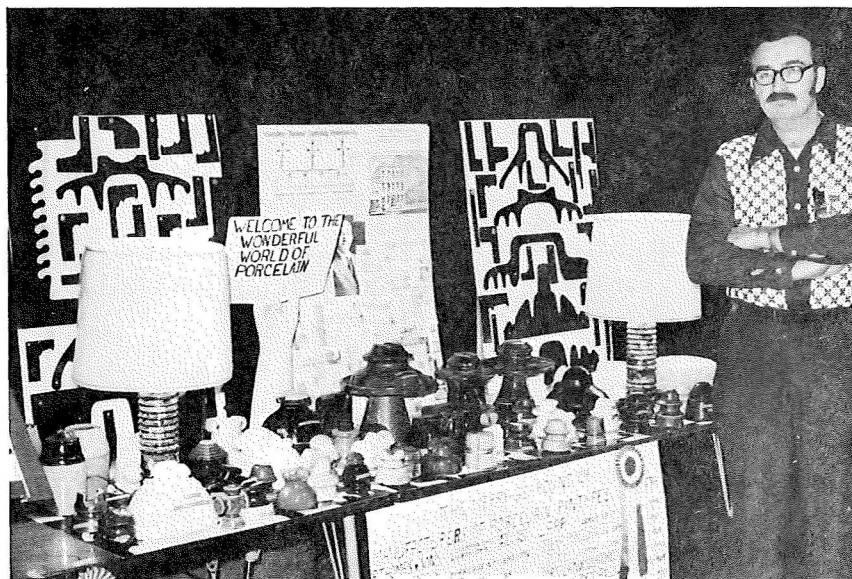
Gary Turner - Brookfield Insulators and Bob fast miniatures - Crown Jewels subscription and W. T. No. 5 insulator.



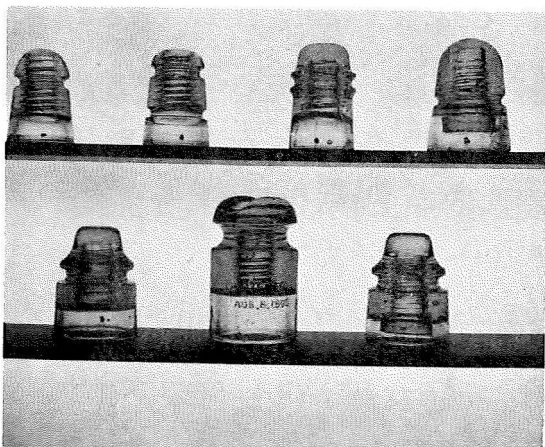
Gary Turner, Crown Jewels subscription, insulator, Junior Division.



Steve Blair, Show Award, 3rd Prize.



Jerry Turner, CROSS ARMS 1st Prize, Show Award, 1st Prize.



Tom Moulton sent us a picture of his Standard Glass insulators. As far as he knows this is the only complete set. All are embossed on rim: THE STANDARD GLASS INSULATOR CO. BOSTON MASS. The keg and cable are pictured on pg. 34 of 12/74 issue of CROSS ARMS. The only one with other embossing is the cable which has the Lawrence Gray date as described on pg. 6 of the March issue. Top row 1 to r-CD 104, CD 112?, CD 121, CD 145. Bottom row 1 to r-CD 138, 2, No CD?, CD 157. 5←w/inner skirt. w/o inner skirt



Donna Stirnkorb, Diane Stirnkorb, Darlene Stirnkorb, Show Award 3rd Prize, Junior Division.



Chris & Gary Curts, Crown Jewels Grand Prize, OBX Showmanship Award, Brookfield Award.



Kecia Drummond, Crown Jewels Grand Prize, Junior Division.



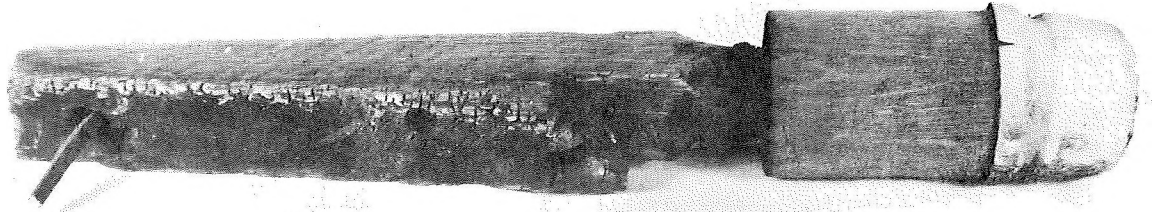
David Turner, Crown Jewels 2nd Prize, Show Award, 2nd Prize, Junior Division



17 Valerya Hyrne, Show Award 1st Prize, Junior Division.

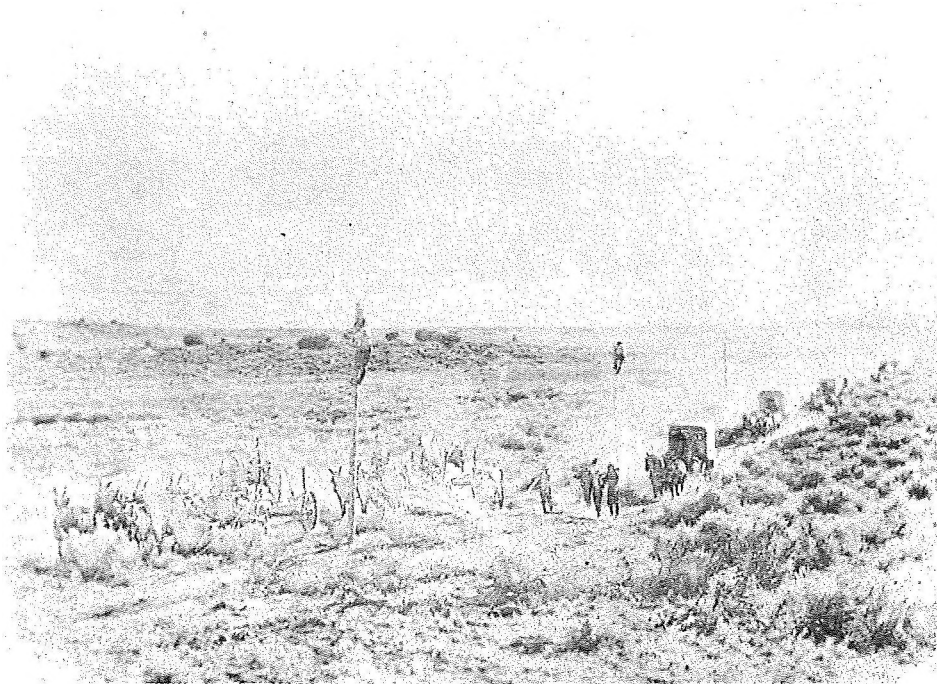
Threadless POND'S

Pictures and insulator from Bob Wilson.



These two pictures show different views of the Pond's Patent No. 122,961, Jan. 23, 1872.

The insulator body is made of wood, soaked in tar or pitch. The crown is covered with a tin cap, embossed JAN 23, 1872. The most interesting fact about this insulator is that it is "threadless". Although the pin won't come out of the insulator it has been x-rayed and it is threadless. This rare insulator belongs to Bob Wilson of 12612 Chilton Road, Phila., PA.



Constructing the Transcontinental Telegraph Line. A Scene from the Motion Picture, "Western Union"

-6TH N. I. A. CONVENTION NEARS-

BY Maury & Addie Tasem

As the 6th N. I. A. Convention draws near, we are trying very hard to give all collectors an opportunity to attend this Show. For those who live in Western Airlines country, we have great news for you! They have made Special Convention group rates available. That means the more collectors to fly in on the same plane, the CHEAPER the air fare. The size of the group can be any number. All the collector has to do is call the Western Airlines ticket information and ask to speak to the person in charge of Special Convention group rates. They will get the arrangements done for you. You will come together and can return home separately if desired.

There are only a few 6 ft. tables available and many 8 ft. We strongly suggest getting your reservations in NOW! Remember it's a BIG 3 day show at \$36.00 for all 3 days. Admission is FREE. We are expecting a huge crowd-many buyers.

If you are calling for hotel reservations (800-238-5000), tell them you are part of the N. I. A. Otherwise you will be told the Hotel is sold out. Reservation cards are available by writing to 519 Verdin St., El Cajon, CA 92021.

With the cost of everything going UP, so have our costs! We are trying to keep your expenses down by offering many discount items.

FROM THE N. I. A. INFORMATION DESK
by Howard Banks

The Mid-State Antique Bottle Collectors, Inc. Annual Show & Sale, May 31, June 1, to be held in the Rollins College Field House in Winer Park, Florida is granted NIA sanctioning.

There is a \$1.00 donation admission price; tables 2 1/2 x 8 feet are \$15. For bottles and insulators a total of 72 tables are available. Self-contained campers can remain on lot at no cost. Insulator exhibits are planned under these two categories: 1. Glass Insulators 2. Ceramic Insulators. The Club will use their own judging rules.

For information contact: Carol V. Anderson, 253 Barrow St., Apopka, FL 32703.

The Central New York Insulator Show, to be held May 3 at Whitesboro Sr. High School in Marcy, New York is granted NIA sanctioning.

This insulator only show will have no admission price; 60 tables are available, and as of

March 26, 20 tables had already been reserved. Tables 3 x 7 feet cost \$5.00 each. Exhibits are planned, with categories and judging rules used, those of the show host and not of the NIA. Self-contained campers have free use of the school parking lot for overnighing.

For information: Bill Rosato, 11 Cedarbrook Crescent, Whitesboro, NY 13492

AD INFORMATION AND DISPLAY LAYOUTS

Classified ads are 5¢ per word (\$1.00 minimum). If your ad is run for two consecutive months, the third month will be run free of charge.

DISPLAY AD PRICE SCHEDULE:

Each column inch	\$5 per in.
1/4 page	\$15
1/2 page	\$25
Full page	\$40

Special price for long term ads will be furnished upon request.

Classified :: Ads

PORCELAIN COLLECTORS. Supplement C (January 1975) to "Porcelain Insulators Guide Book" now available. \$1.00 postpaid. Jack H. Tod (CA), 3427 N. 47th Place, Phoenix, AZ 85018. 8

FOR SALE OR TRADE:(postage extra)

102 Hemingray No. 14, aqua	NM+	\$8
112 Sterling (written out), back f, aqua	VNM+	12
123 E. C. & M CO. SF, aqua (usual rough base)	NM+	45
126 W. Brookfield, New York, ice blue beauty	M	4
1314 L. G. T. CO, Patent date, aqua	VNM	39
133 Homer Brooke's Pat. , aqua/large milk blob and swirls	VNM	25
133.4 Crown Patent/Dec 19, 1871, 3 on crown/"A" skirt, lime green	VNM	6
134 T-HE Co. on Dome, skirt patent, ice gr.	NM	10
143 Great Northwestern Telegraph Co. (written out), aqua	VNM	25
145 Lynchburg 43, SDP, aqua	M	9
162.4 1678, lemon, SB	M	9
169.5 Brookfield, aqua	M	10
256 Manhattan, green	NM+	15
280 Hemingray, triple petticoat, SDP	VNM	4
307 Hemingray, aqua	M	75
320 Pyrex 171, carnival	M	22

Also have large list of insulators. Send SASE. John McDougald, 4592 Andorra Drive, North Olmsted, Ohio 44070 (216) 779-8232.

THE N. I. A. INVITES YOU TO SAN DIEGO

AMERICA'S INTERNATIONAL PLAYGROUND...

The Mexican border is only 15 minutes from San Diego. What attracts visitors to Mexico? They are

Shopping (flea market like fun)

Jai Alai games (fastest game in the World)

Bull fights

Clean beaches and camping areas and many many more

We offer 6 different Mexican tours to individuals. The tour includes pick up and return to the hotel, the 24 hour reservation service, bring of 1 quart of liquor back legally, and professional bi-lingual guides. Special Day Cruises to Mexico by boat also available.

For those preferring the American side, discount tickets for Sea World, San Diego Zoo and Wild Animal Park, Belmont Amusement Park, Disneyland, Knotts Berry Farm, Queen Mary, Movieland, and Bush Gardens.

So pick out and do as you like.

Tickets and other information available upon request and at the Convention table July 11-13th. Plan your stay to include some of the fun places of Southern California, and Mexico.

6TH NATIONAL INSULATOR ASSOCIATION CONVENTION

JULY 11, 12, 13, 1975

El Cortez Convention Center, San Diego, California

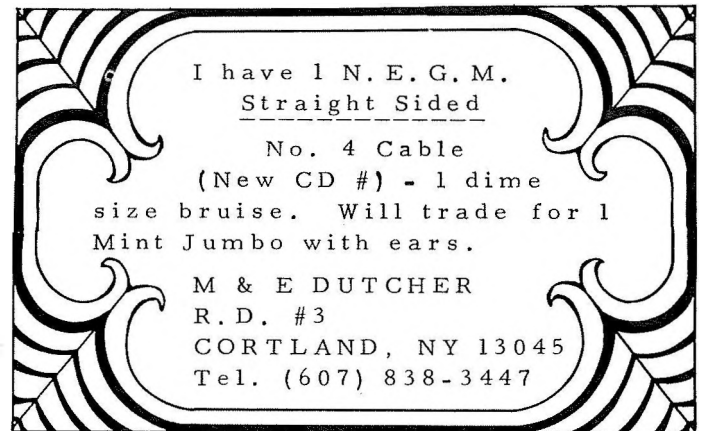
Admission - FREE

Will trade my lightning rod balls or insulators for your weathervanes. Good selection. McManis, 16006 W. Holdridge, Wayzata, MN 55391. 612-475-1595. 6

NEW SPECIAL LIST with emphasis on COLOR and foreign glass. Includes Mexican lime green 162.7's, RYT 155, Derflinger 1545 and a maverick. -No CD (cross between 134 & 162.4). Also Australian bottles 160.7, & a 110.5 & 249. Send S. A. S. E. for list. Bronson Hoffman, 5110 San Aquario Dr., San Diego, CA 92109. 7

Wanted to Buy-CD 234 & 235 carnivals, purple, and SCA in quantity and CD 162. Percy Hill 2254 Serracedar, Baton Rouge, LA 70816. 7

RARE CABLE SALE-NEGM Straight Sides (heavy impressive cable style) aqua NM, \$190.00; also have two mint aqua and two mint dark green NEGM Straight Side-write. CD 140 Oakman Rim embossed Jumbo, lite aqua VVVNM, \$190.00; CD 140 unearned Jumbo (no embossing(rare), aqua VNM, \$200.00; CD 140 Unearned Jumbo, lite green, rare color, VNM \$250.00; CD 267 NEGM No. 4 (dated) bluish color, VNM, \$175.00; CD 269 Jumbo with ears, Oakman, rim embossed, aqua VVNM, \$225.00; CD 266, No. 5 Cable, aqua, top trade-write. All above open to part cash, part trade. What have you?. L. Veneziano, 27 W 115 Vale, West Chicago, Ill 60185. 6

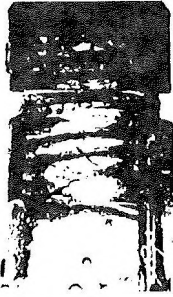


FOR SALE: CD 112 CALIFORNIA, lt. purple, NM, \$5.00, CD 143 CANADIAN PACIFIC, deep purple, chips, \$10.00, CD 145 AM. INS. CO., dated, aqua, chips, \$6.00, CD 145 STANDARD, aqua, NM \$80.00, CD 145 STANDARD, aqua, chip on inner skirt, \$75, CD 164 STERLING, aqua, chip on base, \$15.00, CD 164 H. G. Co., jade milkglass, NM, \$10.00, CD 170.1, no embossing, aqua, small chips, \$3.50, CD 202 K, lt green, NM, \$8.00, CD 202 Locke, aqua NM, \$8.00, CD 252 No. 2 Cable, lt green, NM, \$6.00, CD 252 KNOWLES/"PRISM"/June 17, 1890, green, NM \$9.00, CD 252 KNOWLES/"PRISM"/June 17, 1890, green, chips, \$6.00, CD 259 OAK - MAN, aqua, NM, \$9.00, CD 320 Pyrex, carnival, NM, \$10.00. Postage extra. Russell Collins, RFD 1, Box 558, Yarmouth, Maine 04096.

Transpositions, odd 121's, and 162's in color wanted. Commemorative Pioneer Pilgrim Hats (set of 8) mint-\$100.00. Send for trade list. John de Souza, 229 Wintonbury Ave., Bloomfield, CT 06002.

FOR SALE: Have some MINT CD 302 7-inch Muncie Aqua-\$15.00 each. POSTPAID & INSURED. F-MUNCIE B-HEMINGRAY/PATENT MAY 2nd 1893. Paul H. Houpt, 211 S. Chauncey St., Columbia City, IN 46725.

6



"THE GLASS INSULATOR - A COMPREHENSIVE REFERENCE" by Gary Cranfill and Greg A. Koro-felas.

A comprehensive 144 page book plus a price indicator. 600 insulators beautifully photographed. 1200 insulators described and priced with historical information. A must for the beginner or advanced collector. \$6.00 ppd.

GARY CRANFILL
5536 Keoncrest #2, Sacramento, California 95841
(SEND FOR A SAMPLE PAGE)

Brookfields, WT's, Hem., H. G. Co. for sale or trade. Good for beginners. SASE for list. Jeff Maxwell, 455 Lynn Dr., Berea, Ohio 44017.

Want rarer types of lightning rod insulators--Buy, Sell or Trade. Paul Savage, Rapp's Corner, Chester Springs, PA 19425 Ph. (215) 927-7554.

INSULATOR SNATCHER-Attached to a bamboo pole it will unscrew unused insulators from crossarms. Includes everything except the bamboo pole. Light weight, simple to use, and guaranteed. \$3. Kelly Bridges, 3674 Conrad Drive, Baton Rouge, LA 70805

7

PENDANTS, SHINN FIGURE ARROWS WANTED. Will pay cash, or have some pendants, LRB's, arrows, and insulators for trade. I'd like to hear from anyone who has a "WCS" Beaver or a SHINN Eagle arrow. Mike and Marc Kuklinski, 8925 West Burleigh Street, Milwaukee, WI 53222. Tel: (414) 442-4019.

FOR SALE: CD 117 Ampersand, VNM \$12; Mint \$16, aqua or green. Also have for sale or trade top half of two piece porcelain transposition. Chuck Riggs, 56 Lincoln Ave., Cortland, NY 13045.

FOR SALE-CD 160 S. S. Co Chicago, small chip on base, nice \$65.00. CD 133 OVG, mint, \$37.50. CD 133.2 LAC P & W, small chip on base, nice, \$40.00. New revised list of the insulators I have left. Most reduced in price for final clearance. Send SASE to W. Chase, 1870 Elizabeth Ln. Aurora, Illinois 60505. Ph. 312-851-3813.

INSULATORS

Common to Rare -Send Large
S. A. S. E. for List, otherwise no
List. Bids close May 31, 1975

Harold Downing
Grant City, MO
64456

Mail Bid

Mail Bid

CD 165.1 F-Whitall Tatum Co. No 5 B-Made in USA ice blue, \$5.00; CD 164 F-Dominion 614 B- straw or lt. green, \$5.00; CD 162.4 F-1678, lt aqua, \$8.00; CD 162.4 F-1673 lt aqua, \$10.00; 734 McMicking, mint, \$275.00. Wilfred L. Secord, 21680-122 Ave., Maple Ridge, B. C., Canada VZX 3W9.

6

Wanted CD 152's - Lynchburg, H. G. Co., McLaughlin, odd colored Hemingrays, what have you. Will buy or trade, Kelly Bridges, 3674 Conrad Drive, Baton Rouge, LA 70805.

6

WANTED: Threadless and rare porcelain insulators. Send picture if possible plus price and description. Mr. John H. Hall, 5200 Shannon Road, Canal Winchester, Ohio 43110.

HAVE ONE (1) MINT, RARE
STRAIGHT UP NO. 4 N. E. G. M.
CABLE (no CD No. assigned
to date) beautiful emerald
green (crude.) Will take best
cash or trade offer.

BRAD & NANCY COOK
507 RIDGE ROAD
LANSING, NY 14882

Insulators for Sale: Please send large S. A. S. E. for list to: John J. Fischer, 176 W. King St., Apt. C-1, Malvern, PA 19355.

Wanted Dead or Alive-Porcelain U-185 (Slussers Patent). I will pay any reasonable price for this unusual insulator. I am also looking for nice items to take to the National. Jerry Turner, Box 6651, Gaynor Rd., Goshen, Ohio 45122.

FOR SALE-CD 100 Surge-mint, \$2.75 postpaid. 10 or more \$2.50 each postpaid. WANT TO BUY, Canadian purple ponies. Can use some slightly damaged ones. Howard & Doris Coon, Bedford, Iowa 50833.

Wanted by Speciality collector, CD 145's & CD 121's. Will trade or buy. Send SASE for list. Sherman Barr, RR3, Box 37, Marshall, IL 62441.

Still have good buys on Canadian and American insulators. 20¢ plus large S. A. E. gets 8 page list. D. Axelson, 237 Lord Seaton Rd., Willowdale, Ontario, Canada.

our **Sale of Sales!**

CD			
120	H. Brooks, blue	NM	\$30.00
134.4	No Name, beautiful apple green	NM	50.00
104	National, sliver base chip, aqua, rare		60.00
143	Withycombe, usual flaking, nice SCA		50.00
134	Oakman, 1 chip, not bad, aqua		60.00
160	No Name, K. C. G. W. No. 2, lt. green	VNM	40.00
134.4	Pettigell Andrews, rare,	VNM	70.00
164	Star, lavender SCA	VNM	40.00
156.1	Postal Tel. rim embossed, aqua	VNM	22.50
162.4	1678, nice SCA, minor chip		50.00
262	No. 2 Columbia, green	NM	60.00
263	Hemi Columbia, blue aqua, drips	VNM	90.00
102	B. T. C., purple	NM	5.00
143	C. P. R., purple	VNM	9.00
102	◇ olive amber	VNM	1.50
162	Maydwell, milkglass	VNM	4.50
102	Sterling, aqua	VNM	6.00
143	C. P. R., Withycombe, aqua, minor damage		18.00
235	662 carnival (orange)	VNM	6.50
234	663 carnival (orange)	VNM	6.50
112	Hawley, aqua, minor damage		4.00
175	Hemi 25, aqua	VNM	9.00
117	&, aqua	VNM	14.00
134	1865 Cauvet, aqua	VNM	3.50
131	(concave) 45 Cliff St., aqua, minor damage		12.00
145	Hawley, very crude, aqua	VNM	3.00
145	B, SCA	NM	4.00
145	G. N. W., purple	NM	9.00
254	No. 3, Cable, emerald green, I. S. C.		22.00
145	H. G., jade green	VNM	3.00
154	Dominion, yellow amber	VNM	15.00
154	Dominion, root beer amber	VNM	15.00
306	N. E. G. M. under Lynchburg, minor damage (very rare)		200.00
102	Hawley, aqua	VNM	3.50
162	Hamilton Glass Co., aqua	NM	22.00
205	Brookfield #3 trans., minor damage, aqua		4.00
205	Brookfield #3 trans, I. S. C., aqua		2.50
205	Gaynor 530 (no drips), aqua	VNM	6.50
160	B, No. 32, olive green	VNM	22.00
160	B, drip points, aqua, little damage		4.00
160	California, SCA	VNM	8.00
162.5	P. L. W., aqua	VNM	15.00
167	Armstrong 51C1, amber	VNM	2.50
216	W. T. 512U, amber	VNM	2.50
216	Armstrong 512U, amber	VNM	2.50
272	Armstrong 511A, amber	VNM	2.50
740	Tillotson, 16 Bdwy, lopsided top, black amber has sliver chip on base (professional repair)		500.00
740	Tillotson, 16 Broadway, rare yellow-green, internal crack, and minor base chip, (professional repair)-must see to appreciate.		500.00

Have many more so please list your wants. Also buying collections and extras. Cash or commission. Postage-\$1.00 first insulator, 50¢ all others.

BRAD AND NANCY COOK
507 RIDGE ROAD
LANSING, NY 14882

BOOKS--Complete your insulator library with "UNIQUE COLLECTIBLE INSULATORS". All about non-glass and non-porcelain insulators-\$4.00 pp.-- "COLLECTIBLE PORCELAIN INSULATORS-SECOND EDITION"-\$.60 pp. "COLLECTIBLE PORCELAIN INSULATORS"-SUPPLEMENT"-\$2.50 pp. Order from Author, Gerald Brown, Two Buttes, CO 81084. 6

I have a Insulator I will take mail bids on, with money-back guarantee. CALIFORNIA # Helmet C. D. # 260-in beautiful bubbly Red S. C. A. 1 3/8" saddle groove with amber swirls in the glass. Will ship to high bidder by July 1, 1975. Bids accepted in cash or trade. Value insulators for my collection Mint, glass colored-"Via Milholland's '75 Price list. Hank Durnil, 1822 Rockefeller, Everett, WA 98201. ===Also CD 131.4 NO NAME. Very crude old bubbly lt. aqua with milk glass feather and swirls in it. PATENT/DEC. 19, 1871 side of crown, smooth base M. L. up to button-Back No-on side of dome. Same deal as above. Hank Durnil, 1822 Rockefeller, Everett WA 98201. 6

PORCELAIN INSULATORS GUIDE BOOK FOR COLLECTORS., the standard reference for pin-type porcelains. Universal Style Chart with all U-number scale drawings. Markings company histories, prices, etc. Hardbound, 206 pages, \$10 postpaid. Also Supplements A and B, \$1.95 each. From Author, Jack H. Tod (CA), 3427 N. 47th Place, Phoenix, AZ 85018.

PAYING CASH for Threadless and rarer types of insulators or quantities. What have you?? SASE for new list. L. Veneziano, 27 W. 115 Vale, West Chicago, IL 60185. 6

Oxalic Acid - Why pay drug store prices?! 8 oz., \$1.50; 1 lb., \$2.50; 5 lb., \$8.00 PPd, directions. Bill Ginn, Rt. 6, Salters Rd., Greenville, SC 29607. (803) 288-2446. 5

Prices are going up; mine are going down. I have the beautiful carnival glass rainbow colored 10" Pyrex (Sombreros) retal removed, mint, dark color, reg. \$20ppd, now \$12ppd; 5 for \$50ppd. Med. color, reg. \$12ppd, now \$10ppd; 5 for \$40ppd. Light color \$8 each, 5 for \$30ppd. Send large S. A. S. E. for 3 page list for sale or trade. Ed Sellberg, 2918 Neals Lane, Vancouver, WA 98661. 6cb

SPECIAL CD 102 PONY SALE! Hurry while they last! All postpaid! Sterling, VNM or better \$7.50 ea. 3 for \$18.75; Good to NM \$4.50 ea., 3 for \$11.25; Hawley, VNM or better, \$6.00 ea. 3 for \$15.00; Good to NM, \$3.00 ea., 3 for \$7.50. Satisfaction guaranteed or your money back. Yes, I will trade. Ken Kurtz, Box 8, Clearfield, PA 16830 (814) 765-2348.



ANNOUNCING

PORCELAIN INSULATORS for SALE

U-24 (sim) (Canadian 3 X 3 3/4) white un. emb.	M	\$ 3.00
U-46 White pony un. emb. (Thomas) good to	NM	3.00
U-47 White pony emb. Fedco	NM	\$8
U-76 White pony un. emb. good \$10, NM \$15	M	20.00
U-118 Brown beehive emb. JD	NM	4.00
U-173 & U-174 Brown Dryspot	M	8.00
U-192 Brown Tramp un. emb.	NM	8.00
U-217A Brown Tramp emb. Illinois	M	8.00
U-239 B White signal emb. B & O	M	10.00
U-292 Butterscotch signal emb. H- A105 (Hartford Faience)	M	5.00
U-301 Brown signal emb. Findlay-182	M	5.00
U-317 White signal emb. Square D	M	10.00
U-317A Brown signal emb. F M	M	8.00
U-336 Brown squat side tie un. emb.	M	5.00
U-368 Grey side tie un. emb.	M	5.00
U-436B Blue grey cable un. emb.	M	10.00
U-472 Brown cable emb. Cook	M	5.00
U-473A Yellow cable emb. PP INC	M	5.00
U-473A Blue cable emb. Chance	M	5.00
U-475 Yellow cable un. emb.	M	5.00
U-505 Brown cable emb. Chance	M	4.00
U-625A Brown cable emb. Cook	M	5.00
U-634A Green cable emb. OB	M	5.00
U-650 Blue cable emb. OB	M	5.00
U-780 Mahogany emb. Pinco	M	10.00
Cutter Brown large or small size some chips	ea.	25.00

I pay postage

JERRY E. TURNER
BOX 6651, GAYNOR RD.
GOSHEN, OHIO 45122

5th ANNUAL

MID-WEST INSULATOR SWAP & SHOW

MAY 17, 1975

GRANGE HALL, WESTERVILLE, OHIO
15 Miles Northeast of Columbus off I, S. 270

TABLE RESERVATIONS

BEFORE MAY 1, \$5.00

AFTER MAY 1, \$6.00

TABLE SIZE 6' x 2 1/2'

Admission \$.50

Information: D. H. BAUMAN
6706 CHARLES RD.
WESTERVILLE, OHIO 43081

CHEAPER BY THE DOZEN

ALL ORDERS POSTPAID

Lightning Rod Balls (all different) CD1	M	50.00 per doz
100 Surge, clear	M	24.00 per doz.
102 Diamond, royal purple VNM-	M	49.00 per doz.
102 B. T. C. CANADA, royal purple VNM-	M	60.00 " "
102 S. F. gorgeous yellow green	M	36.00 " "
102 Star, aqua VNM-	M	6.00 " "
108 No Name (Birmingham) straw VNM-	M	29.00 " "
122 McLaughlin, green	M	20.00 " "
124 Hemingray 4, aqua	NM	18.00 " "
124.6 Agee, purple	M	59.00 " "
124.6 A. G. M., amber		42.00 " "
126 Brookfield, sk. emb., green	M	36.00 " "
145 Brookfield, var. emb., aqua	M	6.00 " "
145 Arizona beehive Mica VNM-	M	36.00 " "
145 Hemingray 21, clear	M	38.00 " "
151 H. G. Co. N. A. T. C. O., aqua	NM	24.00 " "
151 H. G. Co., drips both sk. VNM-	M	12.00 " "
152.9 Agee, purple	M	84.00 " "
161 California, aqua, sage	M	20.00 " "
162 Lynchburg No. 36, aqua	M	24.00 " "
162 Hemingray 19, 7-up green	M	50.00 " "
205 Brookfield No 3 trans. green	NM	39.00 " "
210 Postal, aqua	NM	10.00 " "
237 Hemingray 720, clear	NM	+12.00 " "
267 (similia) No Name, hard rubber	M	35.00 " "
270 The Ohio Brass Co., hard rubber, VNM	M	35.00 " "
295 Hemingray 72 A, ice bl., blue	NM	35.00 " "
712 Hemingray 518, clear	VNM	M 18.00 " "
U403 Lapp, very pretty porcelain	VNM	M 30.00 " "
U532 Locke, very pretty porcelain	M	15.00 " "

Also have 15 page sale list of insulators, lightning rod balls, etc. for sale.

P. C. McMANIS
16006 W. HOLDRIDGE RD.
WAYZATA, MN 55391

P. S. I also buy insulators or what have you.

BACK ISSUES AVAILABLE

We are clearing out all of our back issues of CROSS ARMS at 60¢ each. There is only a limited supply of some months so don't wait too long to order.

ISSUES AVAILABLE

1972- March, April, June, August through Dec.

1973- February, April through Dec.

1974- April through December

1975- January, March, April

Order now from: CROSS ARMS
R. D. #1, Box 117
Paxinos, PA 17860

→ **NEW BOOK** ←
'UNIQUE COLLECTIBLE INSULATORS'

ITS ALL ABOUT- Non Glass and Non-Porcelain
 Wood-Metal-Composition-hooks-Rubber-Plastic
 \$4.00 postpaid

Also-"COLLECTIBLE PORCELAIN INSULATORS"-
 "Second Edition"--\$6.00 P. P.
 And--"SUPPLEMENT" for same--\$2.50P. P.
 Order from Gerald Brown, Two Buttes, CO
 81084

SHOW Calender

MAY 3 Moorestown, New Jersey
 1st Annual New Jersey Bottle Festival, Moorestown Com-
 munity House, 16 E. Main St. Info: Gene Bond, 15 E. Camden
 Ave., Moorestown, NJ 08057

MAY 3 Marcy, New York
 Central New York Insulator Show. Whitesboro Sr. High
 School, (near Utica). Info: Bill Rosato, 11 Cedarbrook Cres-
 cent, Whitesboro, NY 13492 (315) 736-4674.

MAY 3-4 Birmingham, Alabama
 A. B. C. S., 5th Annual Show & Sale, Birmingham Civic Cen-
 ter, 9th Ave. & 21st Street N. Info: Tom Watson, 1560
 Pearson Ave. SW, Birmingham, AL 35211.

MAY 10-11 Lubbock, Texas
 Hub of the Plains 4th Annual Insulator Show at the KO-KO
 Palace, 50th & Q. Info: Herman Jacobs, 2213-59th, Lubbock,
 TX 79412 (806) 799-4448.

MAY 17 Westerville, Ohio
 5th Annual Mid-west Insulator Swap & Sale at the Grange
 Hall. Info: Don Bauman, 6706 Charles Rd., Westerville,
 OH 43081.

MAY 17 Moorestown, New Jersey
 4th Annual Southern New Jersey Insulator Show, Moores-
 town Senior High School, Stanwick and Bridgeboro Rds.
 Info: Gene Bond, 15 East Camden Ave., Moorestown, NY
 08057.

MAY 23-25 Mobile, Alabama
 Seventh Annual Quality Bottle and Insulator Show & Sale at
 Quality Inn, Airport Blvd. and I-65. Info: Desmond B. Toler
 309 First Federal Tower, Mobile, AL 36606 Ph. (office)
 205-478-5267; (home) 205-4733864.

MAY 24-25 St. Louis Park, Minnesota
 Minnesota's First Antique Bottle Club, Inc. and North
 Star Historical Bottle Association, Inc. are proud to
 announce their fifth annual show and sale, to be held at
 Benilde-St. Margaret High School, 2501 South Highway
 100. Info: Show Coordinator, 5001 Queen Avenue North,
 Minneapolis, MN 55430.

MAY 31 Fort Scott, Kansas
 Fifth Annual Insulator & Barbed Wire Show. 4-H Building
 at the Fairgrounds, 22nd & Horton. Info: Schroadter, 912 S
 Margrave, Ft. Scott, KS 66701. 24

MAY 31-JUNE 1 Orlando, Florida
 Mid-State Antique Bottle Show and Sale, Rollins Field House,
 Winter Park, Florida. Info: Carol V. Anderson, 233 Barrow
 St., Apopka, FL 32703.

JUNE 14-15 El Paso, Texas
 4th Annual Insulator, Bottle, and collectibles Show and Sale,
 National Guard Armory, 9100 Gateway N & Hondo Pass. Info:
 Jerry Stevens, P.O. Box 6534, El Paso, TX 79912.

JUNE 22 Washington County, Pennsylvania
 Washington County Bottle and Insulator Club Show & Sale,
 Holiday Inn, Interstate 70, exit 4. Info: Bill Cole, RD#1,
 Box 342, Carmichaels, PA 15320 (412) 966-7996.

JUNE 21-22 Anaheim, California
 Orange County Collectors Show & Sale, Sheraton-Anaheim
 Motor Hotel. It will follow the National Association of
 Avon Clubs 4th Annual Convention. Info: Mike Reeder,
 Orange County Avon Club, P.O. Box 505, Garden Grove,
 CA 92642.

JUNE 28-29 West Monroe, Louisiana
 Northeast Louisiana's Bottle & Insulator Club's 4th Annual
 Show & Sale, Moose Lodge, 1710 Glenwood Dr., Show Chair-
 man Charles Smith, 1618 Evergreen St., West Monroe, LA
 71291.

JULY 11, 12, 13 San Diego, California
 6th N. I. A. National Convention at the El Cortez Convention
 Center, 7th and Ash. Info: Maury & Addie Tasem, 519
 Verdin St., El Cajon, CA 92021.

AUGUST 9-10 Fairview Park, Ohio
 2nd Great Lakes Insulator Show, American Legion Hall,
 22001 Brook Park Rd., exit 9 on Ohio Turnpike. Info:
 John & Carol McDougald, 4592 Andorra Dr., North Olmsted
 Ohio 44070. (216) 779-8232.

SEPTEMBER 27-28 Grand Junction, Colorado
 Western Slope Bottle Club will put on its 3rd annual bottle
 & insulator Show & sale. Info: Bill Ellicot, 3289 E. 1/2Rd.,
 Clifton, CO 81520.

SEPTEMBER 27-28 St. Louis, Missouri
 1975 Central Regional Show and Sale, sponsored by the
 St. Louis Insulator Collectors Club at the Ramada Inn-
 South. Info: SLICC, P.O. Box 492, Ballwin, MO
 63011 or call (314) 527-4853.

OCTOBER 4 Moorestown, New Jersey
 5th Annual Southern New Jersey Insulator Show, Moores-
 town Community House, 16 East Main St. Info: Gene
 Bond, 15 East Camden Ave., Moorestown, NJ 08057

OCTOBER 12 S. Burlington, Vermont
 The First Vermont Insulator Show & Sale, Rice Mem. High
 School Gym, Proctor Ave. Info: Frank R. Anderson, NIA
 #474, Lake Road, Charlotte, Vermont 05445.

OCTOBER 18, 19, 20 St. Charles, Illinois
 The 3rd Chicago Mid-West Jumbo Show, Kane County Fair-
 grounds, Randall Rd. Info: L. Veneziano, 324 Hawthorne
 Dr., Bensenville, IL 60106.

NOVEMBER 2 Clifton Park, New York
 Capital District Insulator Club of NY, 4th Annual Show &
 Sale, Clifton Park High School. Info: Co. Cham. Grant
 Barnes, 24 Harlau Dr., Scotia, NY 12302, or Tom Loudon,
 129 Sixth Ave., Troy, NY 12180.